

SPECIFICATIONS:

Nominal Impedance	4 ohms
Voice Coil	30 mm KSV
Power Handling	100 watts RMS
Frequency Response	50 - 20,000 Hz
Sensitivity	90 dB SPL @ 2.83 Volts /1m
Tweeter	1", Silk Dome

WARRANTY:

SUONO products are guaranteed for one year for the original retail purchaser against defects in material and workmanship. Products found to be defective will be repaired or replaced (at SUONO's discretion) at no charge. Damage caused by misuse, abuse, product modification, accidents, improper installation, water, and unauthorized repair attempts is not covered. Cosmetic or finish damages are not covered. Products not purchased in the United States from an authorized dealer are not covered. Incidental or subsequent damages to other products are not covered. Any costs or expenses for removing and/or reinstalling the product are not covered. SUONO's total liability will not exceed the purchase price of the product. Some states do not allow limitations on implied warranties so this may not apply to you. You are responsible for the shipment of your product to SUONO. Please get in touch with SUONO first to get a Return Authorization Number.

SUONO CAR AUDIO LLC

1517 Pech Road, Houston, Texas 77055. USA

Phone: (832) 853 71 85

juan.castillo@suonocaraudio.com

www.suonocaraudio.com

The logo for SUONO features the brand name in a bold, yellow, sans-serif font. A blue, stylized swoosh underline passes behind the letters, starting under the 'S' and ending under the 'O'. A registered trademark symbol (®) is located to the right of the final 'O'.A large, 3D-style yellow arrow graphic pointing to the right, positioned behind the text.

CX69
User manual

Congratulations on your choosing a SUONO product!

Your new SUONO two-way coaxial loudspeakers have been manufactured with the finest materials, complying with strict international quality standards.

Characteristics:

Woven fiberglass cone.

Butyl rubber suspension.

1-inch silk dome Ferrofluid cooled tweeter.

TO ACHIEVE THE BEST SOUND...

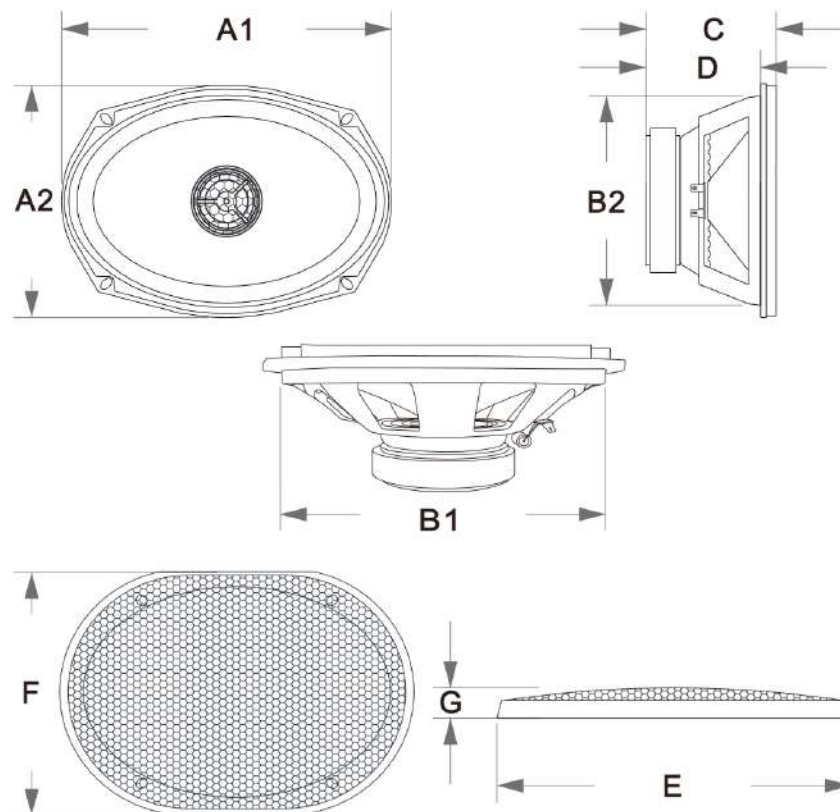
Always respect the polarity of the speakers. Check that they are in phase by manipulating the "balance" control on your radio. You should always hear more low frequencies with the knob at the center than at the extreme left or extreme right. If this does not happen, the polarity of one of them has likely been reversed.

Also check that when turning the "balance" control for example to the right, only the right speakers are heard, both front and rear. Also, try the left channel.

For the best reproduction of low frequencies, your new SUONO loudspeakers should preferably be installed inside sealed acoustic enclosures, or at least on a piece of wood previously screwed to the vehicle, ensuring that there is a good seal between them, without air leaks. If space is available, these speakers will perform best inside sealed enclosures with an internal volume of 0.4 cubic feet (11.3 liters).

If you plan to install them in the rear of the car, as "rear fill," that is, in companion to another system previously installed in the front, place them as far away from your ears as possible, typically on the rear deck.

When listening to your system at high sound pressure levels, try not to go beyond the point where distortion becomes audible. Distortion doesn't just sound bad, it's also the number one reason speakers burn out.



CX69

A1	A2	B1	B2	C	D	E	F	G	
235	164	218	148	93	82	260	172	23	mm
9.25	6.46	8.58	5.83	3.66	3.23	10.24	6.77	0.91	in.